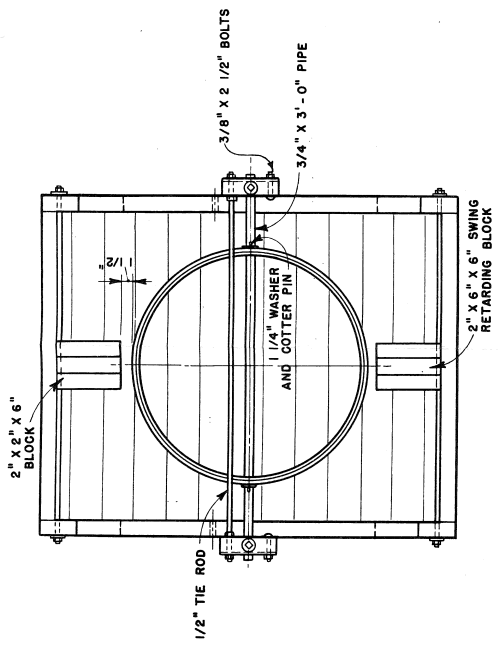
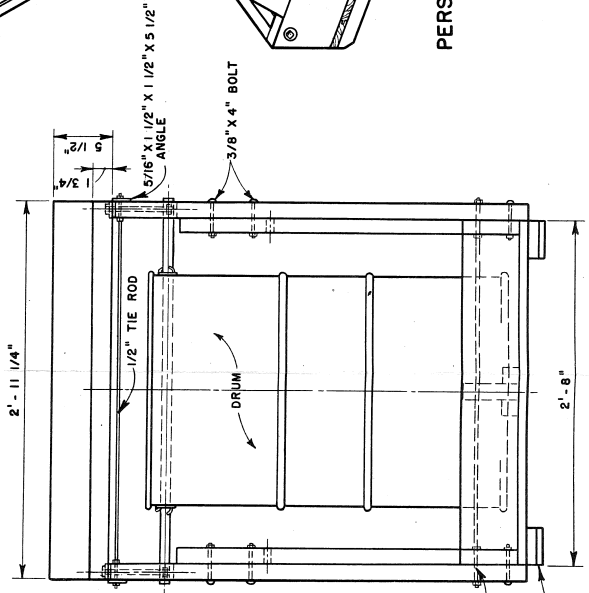


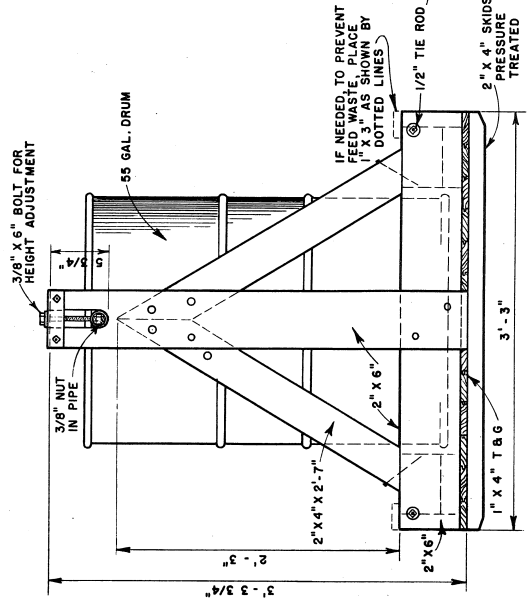
COVER DETAIL  
 SHOWING FIT



PLAN  
 COVER NOT SHOWN

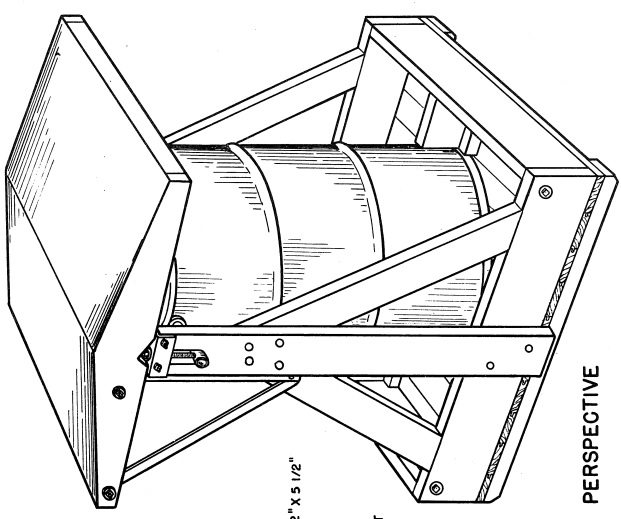


END VIEW



ELEVATION

FRAMING DETAILS  
 WITH COVER REMOVED



PERSPECTIVE

## Disclaimer

This site makes available conceptual plans that can be helpful in developing building layouts and selecting equipment for various agricultural applications. These plans may be outdated and do not necessarily represent the most current technology, construction codes, or agricultural practices. They are not construction plans and do not replace the need for competent design assistance in developing safe, legal and well-functioning agricultural building system. The University of Arkansas Cooperative Extension Service, the United States Department of Agriculture and none of the cooperating land-grant universities warranty these plans.