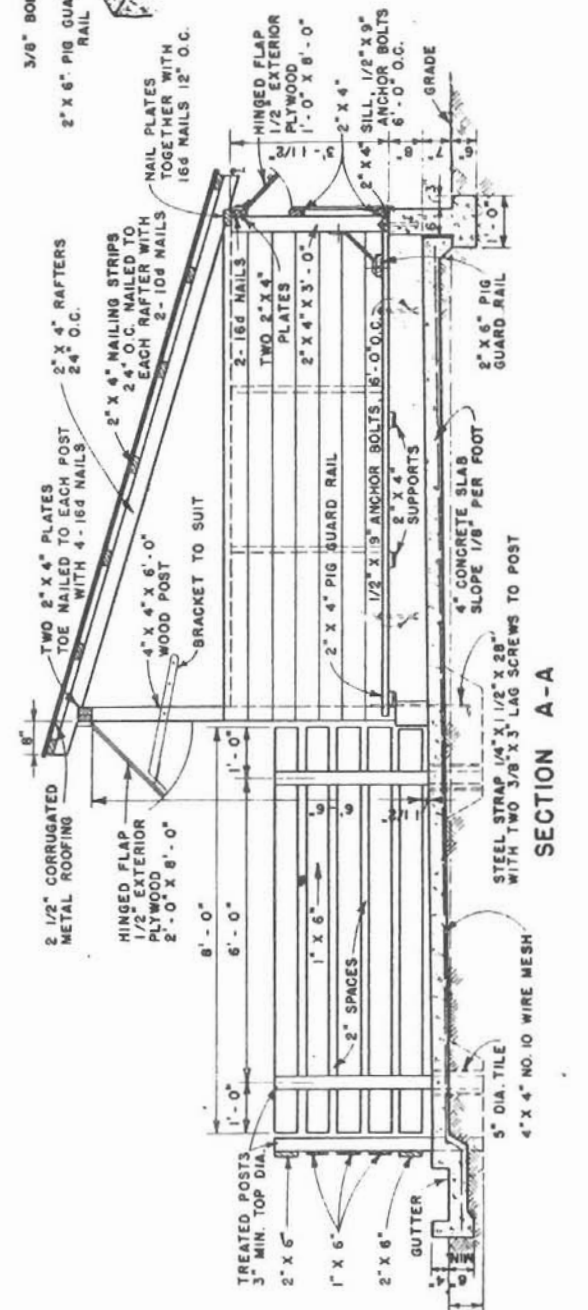
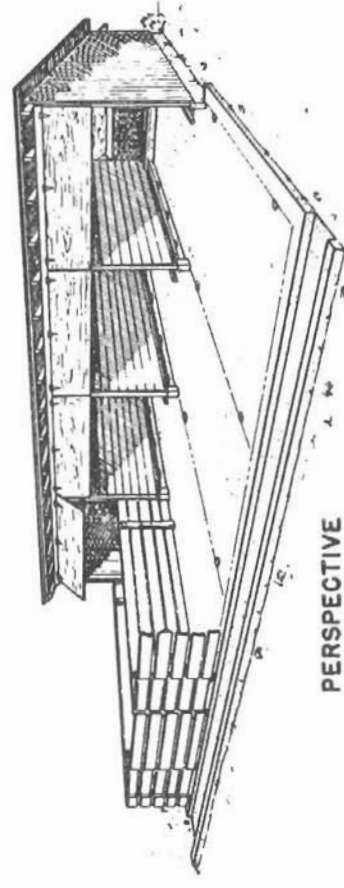


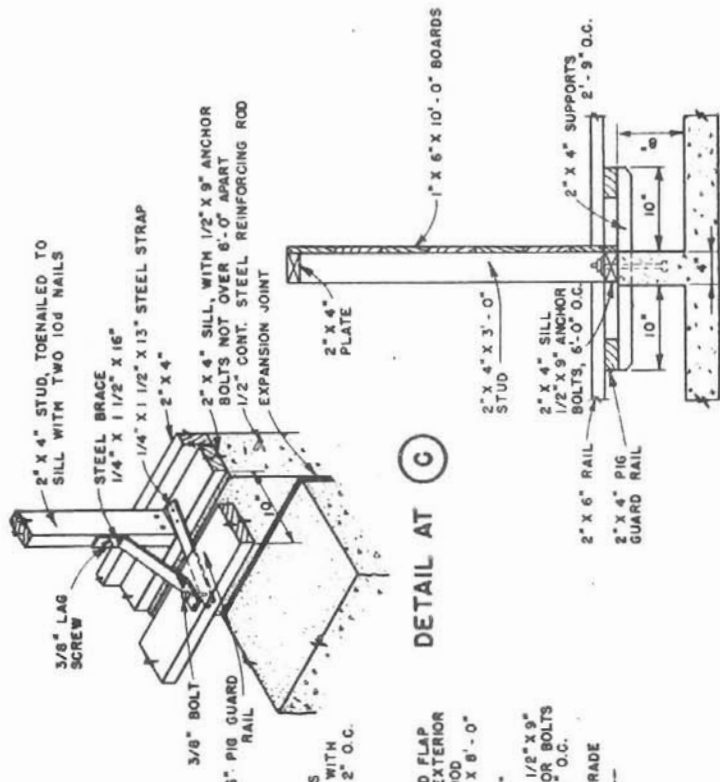
PLAN



SECTION A-A



PERSPECTIVE



DETAIL AT C

THIS LIST OF MATERIALS IS PREPARED FOR ESTIMATING PURPOSES. IF USED FOR THE PURCHASE OF MATERIALS, THE QUANTITIES SHOULD BE VERIFIED BY THE BUILDER.

ITEM	SIZE	PIECES	ITEM	SIZE	PIECES
CONCRETE	1: 2 1/2: 3 1/2 MIX	12 CUB. YD.	OUTER FENCE & GATES	1" X 6" X 8'-0"	12
CEMENT		72 SACKS	PLATE	2" X 4" X 10'-0"	4
SAND		6 CUB. YD.	RAFTERS	2" X 4" X 18'-0"	8
GRAVEL		5 1/2 CUB. YD.	RAILING STRIPS	2" X 4" X 18'-0"	17
LUMBER (PRESSURE TREATED 3" TOP DIA.)			RAILING GIRTS	2" X 4" X 18'-0"	14
POLES			RAILING STRIPS	2" X 4" X 12'-0"	4
STUDS	5' LONG	19	SIDING TAG	2" X 4" X 10'-0"	228 BO. FT.
SILL	2" X 4" X 10'-0"	3	PARTITIONS	1" X 4" X 8'-0"	2
SILL & PLATE	2" X 4" X 10'-0"	2	VENTILATING FLAPS (CUT FROM 1/2" EXT. PLY)	26" X 12"	17 SHEETS
PIG GUARD RAIL & SUPPORTS	2" X 6" X 8'-0"	8	ROOFING & HARDWARE: CORRUGATED METAL	5.4 FT.	17 SHEETS
BROODER FENCE	2" X 4" X 10'-0"	3	REINFORCING ROD	1/2" X 9"	16
	2" X 4" X 8'-0"	2	ANCHOR BOLTS	1/2" X 9"	4
	2" X 6" X 12'-0"	4	GATE HASPS (SWIVEL TYPE)	1/4" X 1 1/2"	4 PR.
	1" X 6" X 12'-0"	2	GATE SCREW HOOK & STRAP HINGE	4" X 4" NO. 10	25 PR.
REMOVABLE FENCE & GATES	2" X 6" X 8'-0"	25	BRACE & STRAPS (STEEL)		25 PR.
OUTER FENCE & GATES	2" X 6" X 8'-0"	8	REINFORCING WELDED WIRE MESH		70.4 SQ. FT.

SECTION B-B
TYPICAL PARTITION

OBTAIN WORKING DRAWINGS FROM
COUNTY EXTENSION OFFICE

Disclaimer

This site makes available conceptual plans that can be helpful in developing building layouts and selecting equipment for various agricultural applications. These plans may be outdated and do not necessarily represent the most current technology, construction codes, or agricultural practices. They are not construction plans and do not replace the need for competent design assistance in developing safe, legal and well-functioning agricultural building system. The University of Arkansas Cooperative Extension Service, the United States Department of Agriculture and none of the cooperating land-grant universities warranty these plans.