

BILL OF MATERIALS FOR CRATE AND EXIT GATE ONLY.

LUMBER QUANTITY	SIZE	USE
1	2" x 4" x 10'-0"	BASE
1	2" x 4" x 8'-0"	BASE
1	2" x 4" x 12'-0"	POST
2	2" x 4" x 10'-0"	POST
1	2" x 4" x 6'-0"	TIES
1	1" x 12" x 16'-0"	SIDES & GATE
1	1" x 6" x 10'-0"	FLOOR
1	1" x 4" x 14'-0"	FLOOR
2	1" x 4" x 12'-0"	SLATS (VERT.)
6	1" x 4" x 12'-0"	SLATS (HORZ.)
1	1" x 2" x 12'-0"	GATE BATTENS
1	1" x 2" x 10'-0"	CLEATS
2	1" x 2" x 10'-0"	CLEATS
2	2" x 6" x 10'-0"	(FOOTBOARDS)

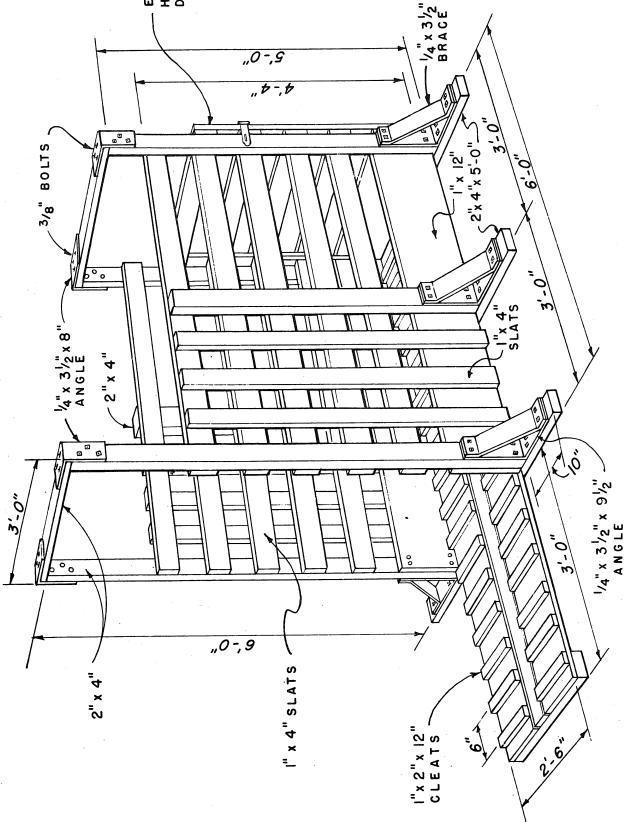
MISCELLANEOUS	QUANTITY	USE
3/8" x 3 1/2" BOLTS, NUTS & ETC.	24	
3/8" x 3 1/2" BOLTS, NUTS & ETC.	48	
BRACES 1/4" x 3 1/2" - 14"	6	
BRACES 1/4" x 2 1/2" - 8"	4	
PAIR 8" T HINGES	1	
HASP AND STAPLE	1	
LBS. 6d COMMON NAILS	3	

USE OF BREEDING CRATE

SUPPORT BOAR ON TWO 2"x6" FOOTBOARDS WITH FRONT ENDS RESTING ON CLEATED GATE AND REAR ENDS ON CLEATED FLOOR, ADJUST HEIGHT TO SUIT, THEN INSERT A 2"x4" BAR THRU SLATS AND UNDER 2"x6" FOOTBOARDS.

CAUTION SHOULD BE USED TO PREVENT CRACKING ANIMALS JAW WITH HEADGATE.

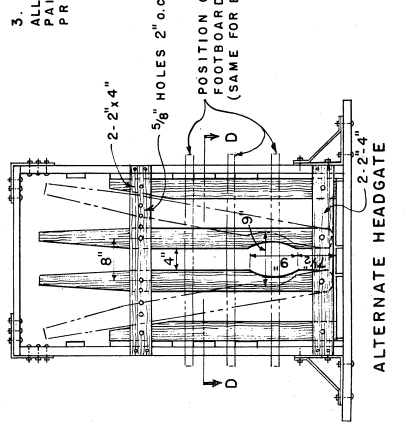
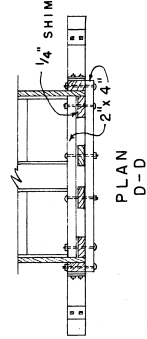
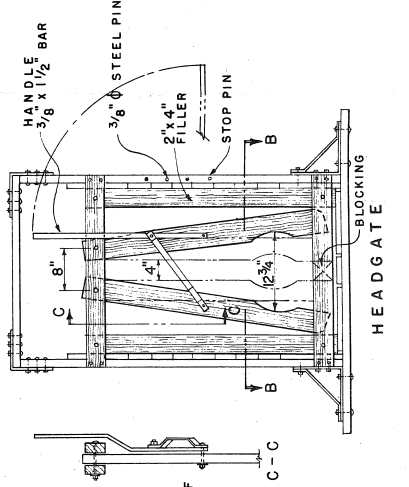
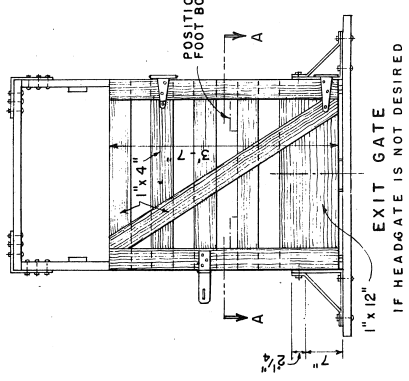
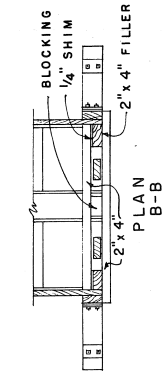
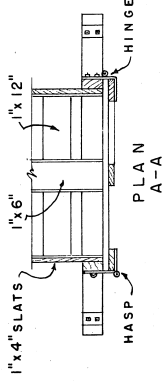
EXIT GATE OR HEADGATE AS DESIRED.



PERSPECTIVE

NOTE:

- USE CARriage BOLTS WHEREVER PRACTICABLE ROUNDED HEAD SIDE TOWARDS ANIMAL TO PREVENT INJURY.
- ALL LUMBER IN CONTACT WITH EARTH SHOULD BE PRESERVED TREATED WITH CRESOTE OR SIMILAR PRESERVATIVE ALL OTHER LUMBER TO BE PAINTED WITH WOOD PRESERVATIVE.
- ALL METAL TO BE GALVANIZED OR PAINTED WITH A METAL PRESERVATIVE.



GATE DETAILS

Disclaimer

This site makes available conceptual plans that can be helpful in developing building layouts and selecting equipment for various agricultural applications. These plans may be outdated and do not necessarily represent the most current technology, construction codes, or agricultural practices. They are not construction plans and do not replace the need for competent design assistance in developing safe, legal and well-functioning agricultural building system. The University of Arkansas Cooperative Extension Service, the United States Department of Agriculture and none of the cooperating land-grant universities warranty these plans.