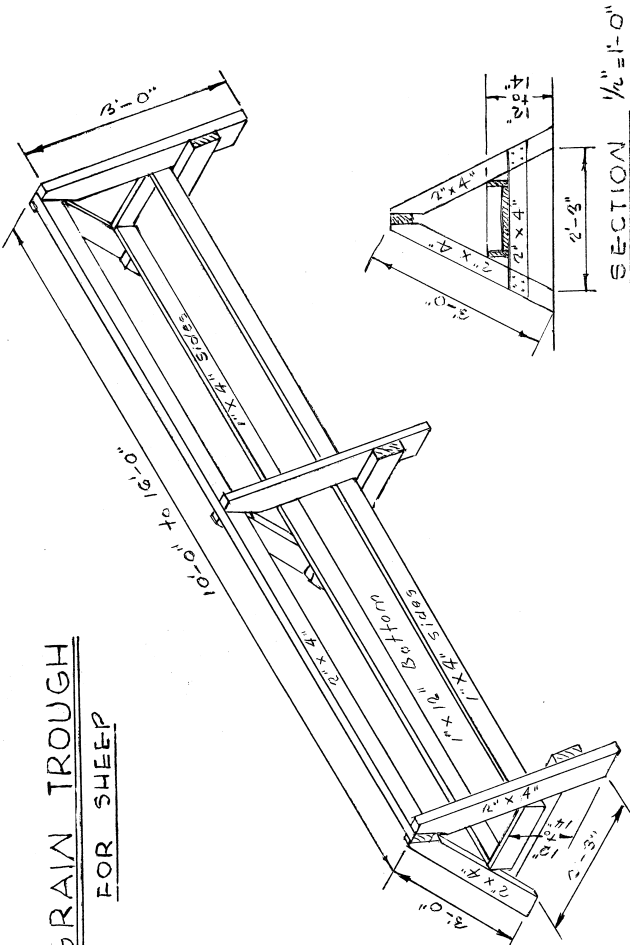
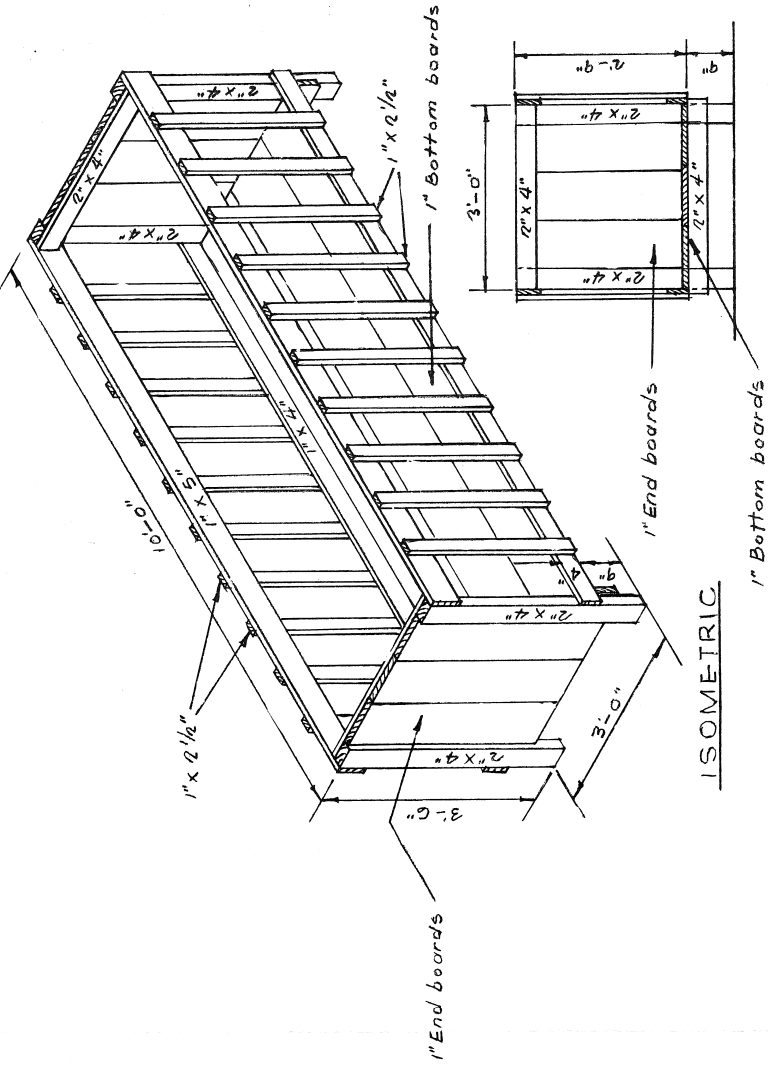


GRAIN TROUGH
FOR SHEEP



ISOMETRIC

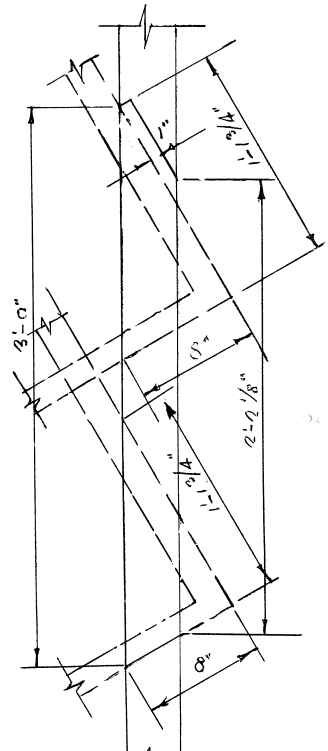
SECTION 1/2" = 1'-0"



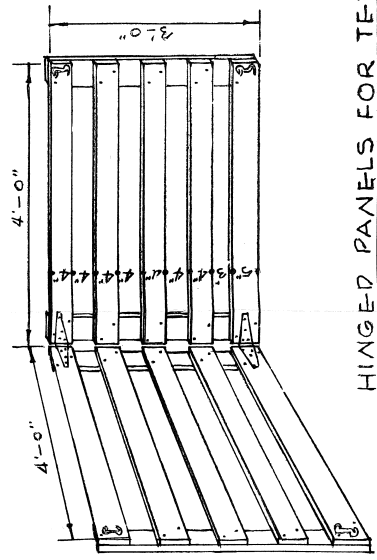
ISOMETRIC

SECTION 1/2" = 1'-0"

HAY OR GRAIN RACK
FOR SHEEP



DETAIL OF END 1/2" = 1'-0"
when top of trough is 12" from ground.



HINGED PANELS FOR TEMPORARY
LAMBING OR CLAIMING PENS

SHEEP FEEDING EQUIPMENT
EXTENSION SERVICE
UNIVERSITY OF ARKANSAS
COLLEGE OF AGRICULTURE
AND
U.S. DEPT. OF AGRIC. COOPERATING
3-7-52 DRAWN BY dt
SHEET 1 OF 1 PLAN NO. 24001

Disclaimer

This site makes available conceptual plans that can be helpful in developing building layouts and selecting equipment for various agricultural applications. These plans may be outdated and do not necessarily represent the most current technology, construction codes, or agricultural practices. They are not construction plans and do not replace the need for competent design assistance in developing safe, legal and well-functioning agricultural building system. The University of Arkansas Cooperative Extension Service, the United States Department of Agriculture and none of the cooperating land-grant universities warranty these plans.