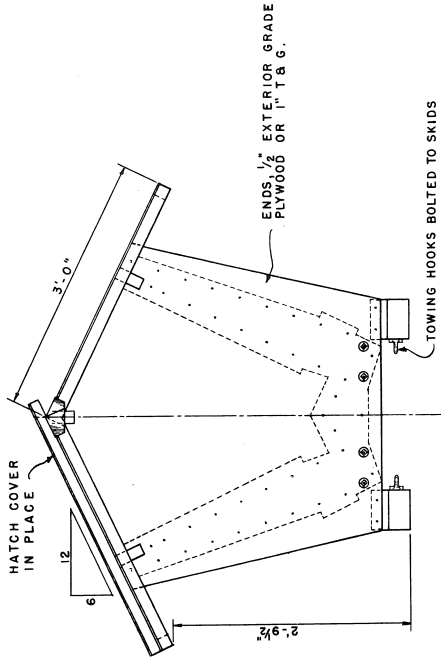
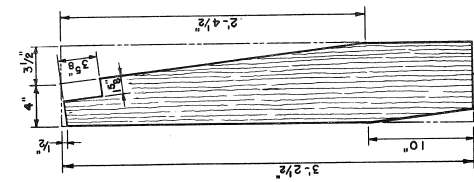


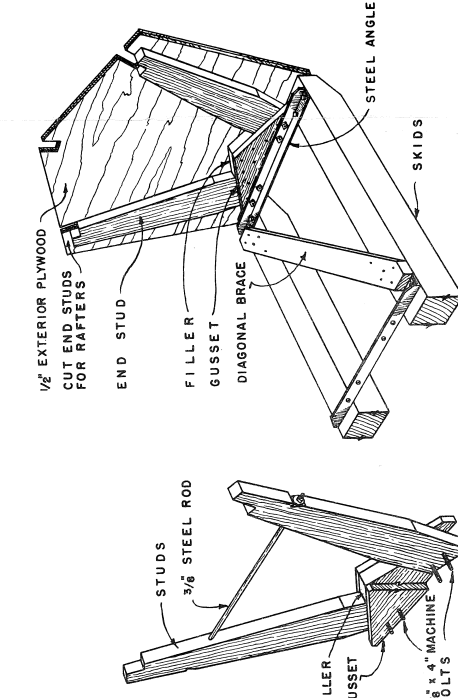
SIDE ELEVATION
CUT AWAY TO SHOW CONSTRUCTION



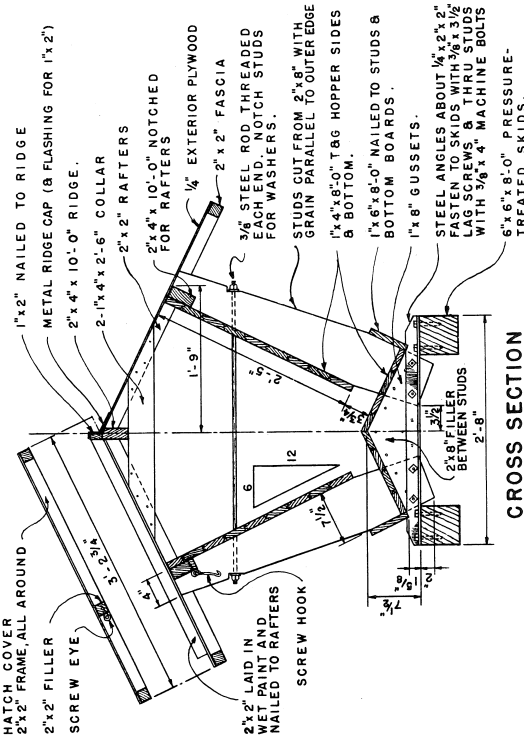
END ELEVATION



STUD CUTTING DIAGRAM



CENTER FRAME ASSEMBLY



CROSS SECTION

ITEM	SIZE	PIECES	ITEM	SIZE	PIECES
SKIDS (PRESSURE TREATED)	6" x 8" x 8'-0"	2	ENDS (EXTERIOR PLYWOOD)	4'-0" x 8'-0" x 1/2"	1
SKIDS (FRAME & RIDGE)	2" x 8" x 12'-0"	2	TOP (EXTERIOR PLYWOOD)	4'-0" x 10'-0" x 1/4"	2
FRAME, FILLER & RAFTERS	2" x 4" x 10'-0"	4	METAL RIDGE CAP	6" x 10'-6" LONG	1
"	2" x 2" x 8'-0"	2	TOWING HOOKS	1/2" x 2" x 2" x 5'-8"	2
"	2" x 2" x 12'-0"	4	STEEL ANGLES	3/8" x 3"-8"	1
FASCIA	2" x 2" x 10'-0"	2	STEEL ROD (WASHERS & NUTS)	3/8" x 3"	2
GUSSETS	1" x 6" x 8'-0"	1	HOOBS & EYES	3/8" x 3 1/2"	16
FEED STOP	1" x 6" x 8'-0"	2	LAG SCREWS	3/8" x 4"	12
COLLARS	1" x 4" x 10'-0"	1	MACHINE BOLTS		
RIDGE PIECE	1" x 4" x 8'-0"	1	PLYWOOD TO BE SEALED & PAINTED		26
SIDES & BOTTOM, T & G	1" x 4" x 8'-0"	26			

THIS LIST OF MATERIALS IS PREPARED FOR ESTIMATING PURPOSES. IT USES THE QUANTITIES SHOWN FOR THE PURCHASE OF MATERIALS. THE QUANTITIES SHOULD BE VERIFIED BY THE BUILDER.

NOTES: THIS FEEDER PROVIDES 16' OF TROUGH SPACE AND A HOPPER CAPACITY OF APPROXIMATELY 22 BUSHELS OF FEED.

COOPERATIVE EXTENSION WORK IN AGRICULTURE AND HOME ECONOMICS
UNIVERSITY OF ARKANSAS COLLEGE OF AGRICULTURE AND HOME ECONOMICS
AND UNITED STATES DEPARTMENT OF AGRICULTURE COOPERATING

SELF FEEDER FOR SHEEP
PLAN NO. 564017
SHEET 1 OF 1

Disclaimer

This site makes available conceptual plans that can be helpful in developing building layouts and selecting equipment for various agricultural applications. These plans may be outdated and do not necessarily represent the most current technology, construction codes, or agricultural practices. They are not construction plans and do not replace the need for competent design assistance in developing safe, legal and well-functioning agricultural building system. The University of Arkansas Cooperative Extension Service, the United States Department of Agriculture and none of the cooperating land-grant universities warranty these plans.