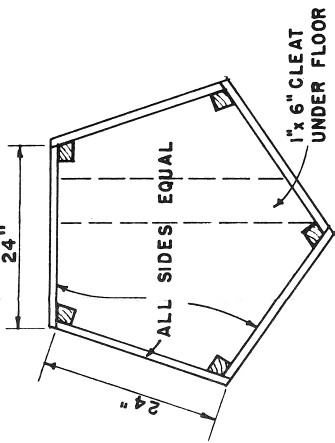
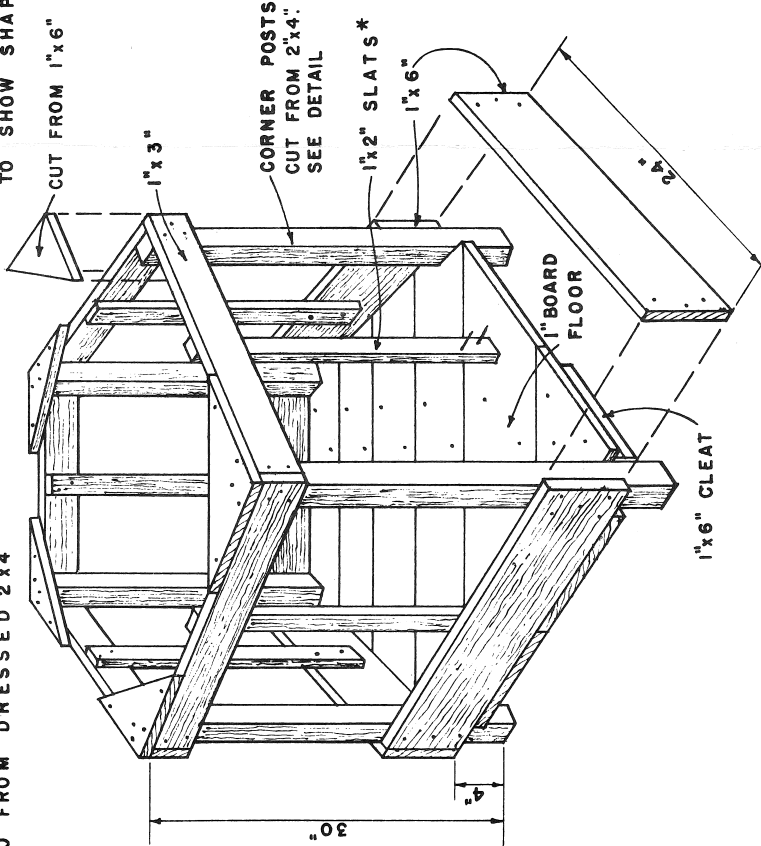


CORNER POST DETAIL
CUT TWO FROM DRESSED 2"x4"



PLAN VIEW
TO SHOW SHAPE



PERSPECTIVE VIEW OF FEEDER

LIST OF MATERIALS

CORNER POSTS	ONE	2"x4"x8'-0"
BOTTOM FRAME	"	1"x6"x14'-0"
& FLOOR CLEAT	"	1"x3"x10'-0"
TOP FRAME	"	1"x6"x14'-0"
FLOORING	"	1"x6"x6'-0"
CORNER BRACES	"	1"x2"x10'-0"
SLATS*	"	1"x2"x10'-0"
NAILS	ONE LB.	6d COMMON

* FOR SMALL EWES & LAMBS, USE
1"x6" VERTICAL SLATS INSTEAD
OF 1"x2" AS SHOWN.

Disclaimer

This site makes available conceptual plans that can be helpful in developing building layouts and selecting equipment for various agricultural applications. These plans may be outdated and do not necessarily represent the most current technology, construction codes, or agricultural practices. They are not construction plans and do not replace the need for competent design assistance in developing safe, legal and well-functioning agricultural building system. The University of Arkansas Cooperative Extension Service, the United States Department of Agriculture and none of the cooperating land-grant universities warranty these plans.