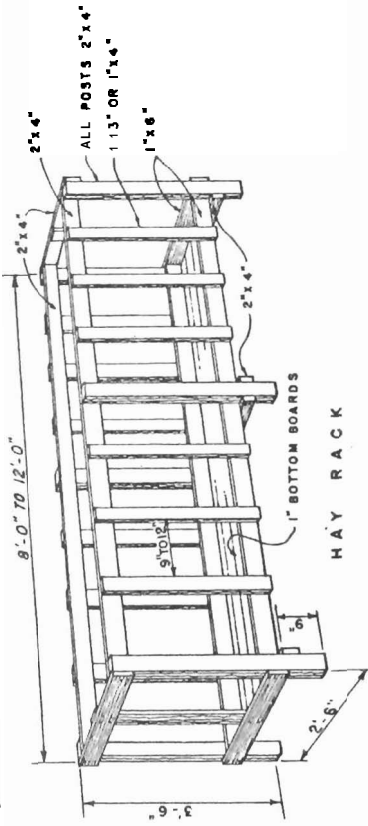
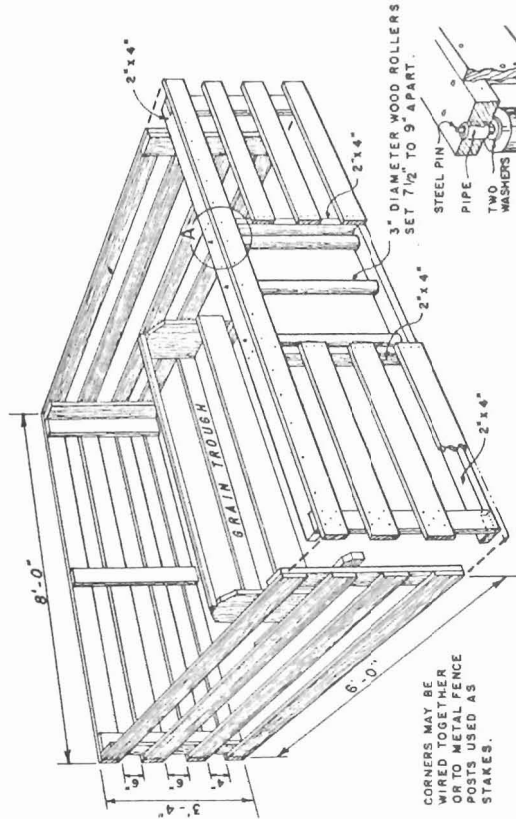


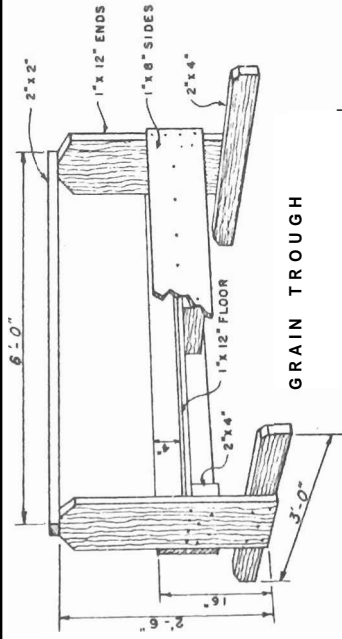
PANELS FOR TEMPORARY
LAMBING PENS
ALL PARTS 1"x4" EXCEPT AS NOTED



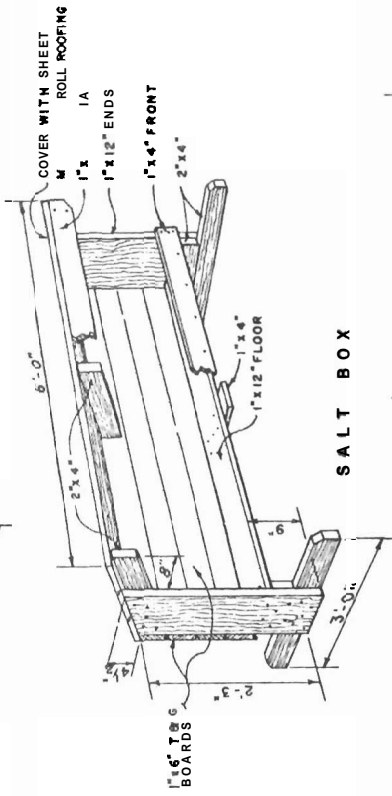
HAY RACK



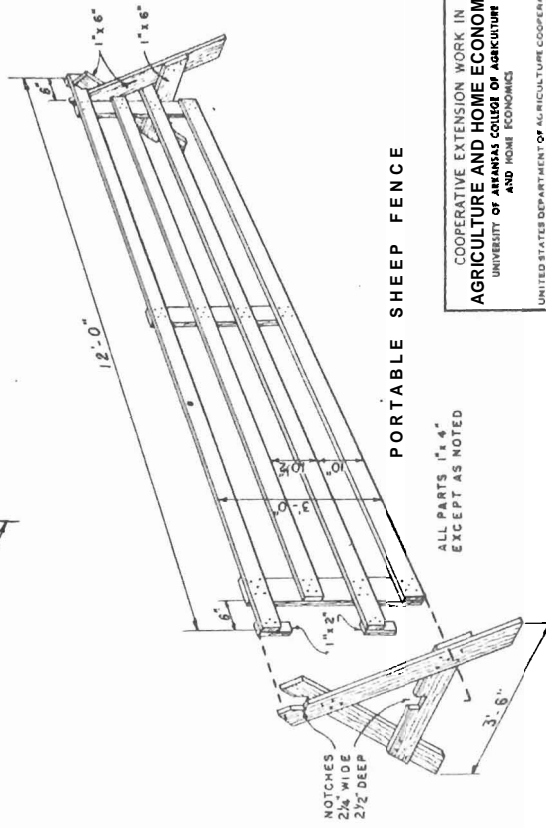
LAMB CREEP
ALL PARTS 1"x6" EXCEPT AS NOTED



GRAIN TROUGH



SALT BOX



PORTABLE SHEEP FENCE

ALL PARTS 1"x4"
EXCEPT AS NOTED

CORNERS MAY BE
WIRED TOGETHER
OR TO METAL FENCE
POSTS USED AS
STAKES.

COOPERATIVE EXTENSION WORK IN
AGRICULTURE AND HOME ECONOMICS
UNIVERSITY OF ARKANSAS COLLEGE OF AGRICULTURE
AND HOME ECONOMICS

UNITED STATES DEPARTMENT OF AGRICULTURE COOPERATING

CREEP, FENCES AND FEEDERS
FOR SHEEP

PLAN NO. 56-020

SHEET 1 OF 1

OBTAIN WORKING DRAWINGS FROM
COUNTY EXTENSION OFFICE

Disclaimer

This site makes available conceptual plans that can be helpful in developing building layouts and selecting equipment for various agricultural applications. These plans may be outdated and do not necessarily represent the most current technology, construction codes, or agricultural practices. They are not construction plans and do not replace the need for competent design assistance in developing safe, legal and well-functioning agricultural building system. The University of Arkansas Cooperative Extension Service, the United States Department of Agriculture and none of the cooperating land-grant universities warranty these plans.