

FIG. 7 - POST FOR SCHOOL OR FARM SIGN

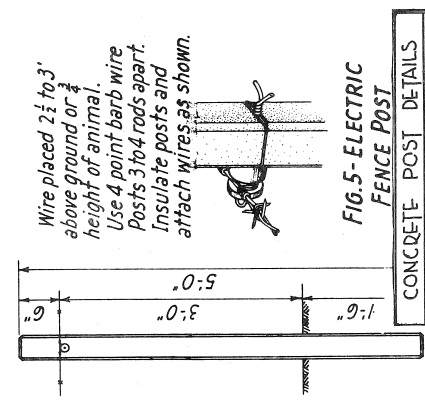
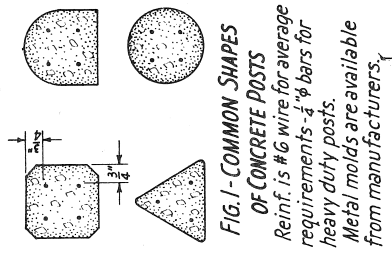


FIG. 5 - ELECTRIC FENCE POST

CONCRETE POST DETAILS
 EXTENSION SERVICE
 UNIVERSITY OF ARKANSAS
 COLLEGE OF AGRICULTURE
 AND COOPERATING
 US DEPT. OF AGRICULTURE
 DESIGNED BY H. H. PCA
 SHEET 1 OF 1 PLAN NO. 8602



Groove cast in one side of post to receive wire tie

FIG. 1 - COMMON SHAPES OF CONCRETE POSTS
 Reinf. is #6 wire for average requirements - #4 bars for heavy duty posts.
 Metal molds are available from manufacturers.

FIG. 4 - WIRE TIES OF THIS KIND HOLD SECURELY

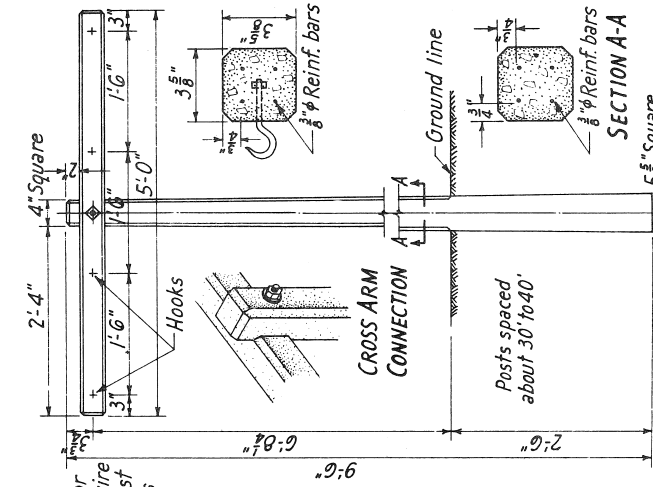


FIG. 4 - WIRE TIES OF THIS KIND HOLD SECURELY

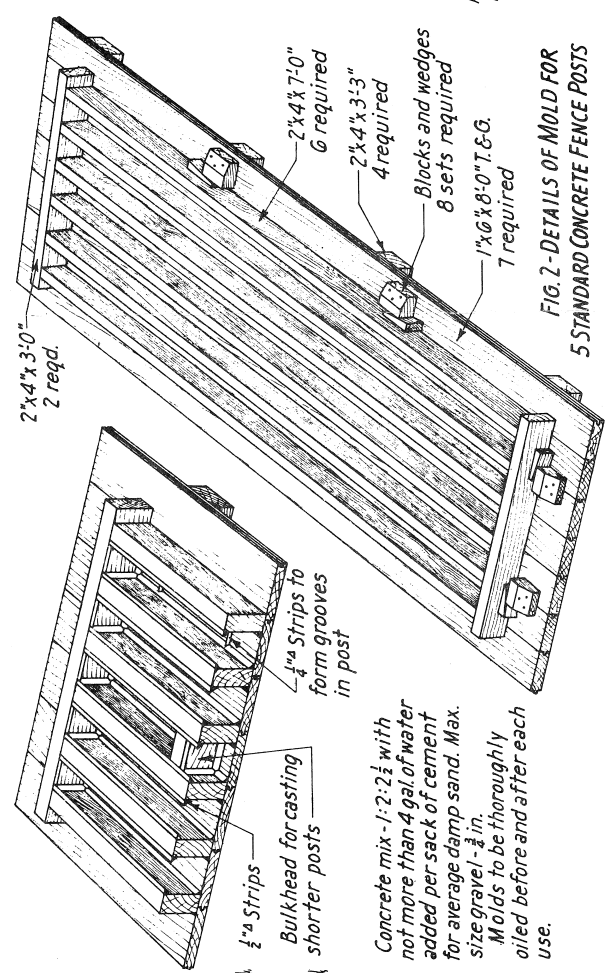


FIG. 2 - DETAILS OF MOLD FOR 5 STANDARD CONCRETE FENCE POSTS

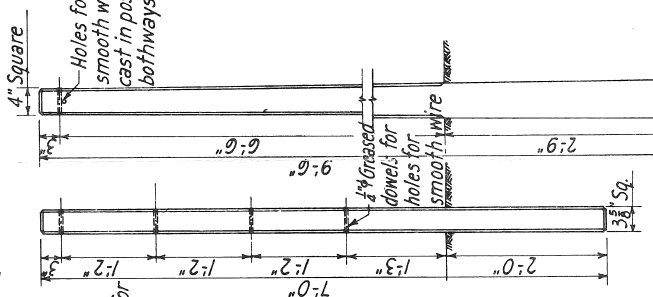


FIG. 6 - VINEYARD POSTS

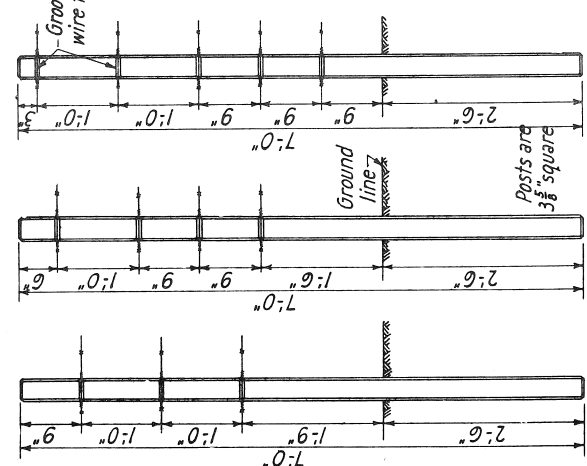
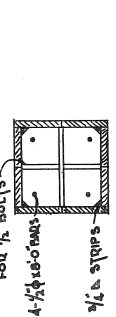
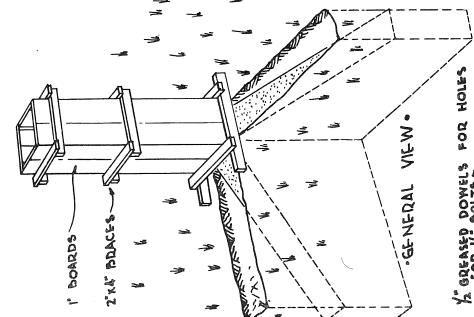
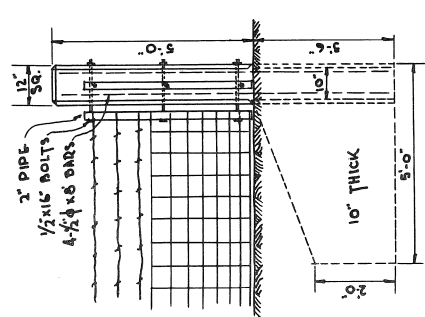


FIG. 3 - DETAILS FOR STANDARD CONC. FENCE POSTS - WIRE SPACINGS ARE FOR FENCES OF 3, 4 & 5 BARBED WIRES



SECTION OF FORM



CORNER POST ELEVATION

Disclaimer

This site makes available conceptual plans that can be helpful in developing building layouts and selecting equipment for various agricultural applications. These plans may be outdated and do not necessarily represent the most current technology, construction codes, or agricultural practices. They are not construction plans and do not replace the need for competent design assistance in developing safe, legal and well-functioning agricultural building system. The University of Arkansas Cooperative Extension Service, the United States Department of Agriculture and none of the cooperating land-grant universities warranty these plans.