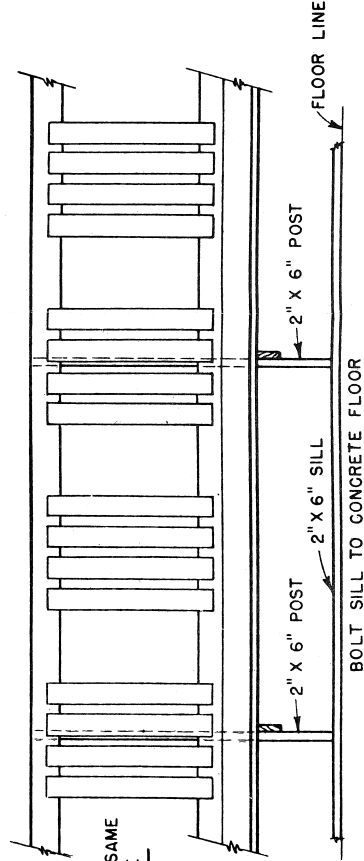
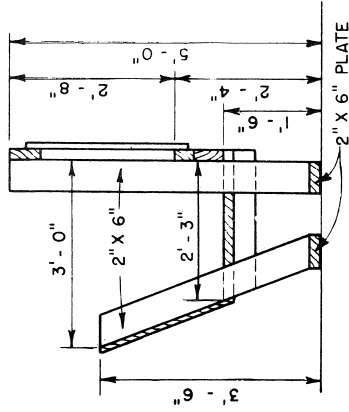


DETAILS OF FEEDING RACK
(USING 4" POSTS FOR SUPPORT)



DETAILS OF FEEDING RACK FOR CONCRETE FLOOR

THIS RACK MAY BE USED FOR BOTH HAY AND SILAGE. IN FEEDING SILAGE IT IS NECESSARY THAT A FEED ALLEY BE PROVIDED.



ALTERNATE SECTION

NOTE

FOR SMALL ANIMALS THE OPENINGS SHOULD ONLY BE ABOUT 2' FROM THE FLOOR AND THEY MAY BE SPACED 2' - 6" CENTER TO CENTER INSTEAD OF 3' AS SHOWN.

CATTLE FEEDING RACK

AGRICULTURAL EXTENSION SERVICE
University of Arkansas College of Agriculture
and Home Economics

U. S. Department of Agriculture Cooperating

PLAN NO. 565008

This fixed rack may be built into a fence line, and filled by truck outside the feed lot. It may also be used for feeding hay, grain, or silage in a shed. If used for cattle with horns, openings should be 18 to 20 inches wide.

Disclaimer

This site makes available conceptual plans that can be helpful in developing building layouts and selecting equipment for various agricultural applications. These plans may be outdated and do not necessarily represent the most current technology, construction codes, or agricultural practices. They are not construction plans and do not replace the need for competent design assistance in developing safe, legal and well-functioning agricultural building system. The University of Arkansas Cooperative Extension Service, the United States Department of Agriculture and none of the cooperating land-grant universities warranty these plans.