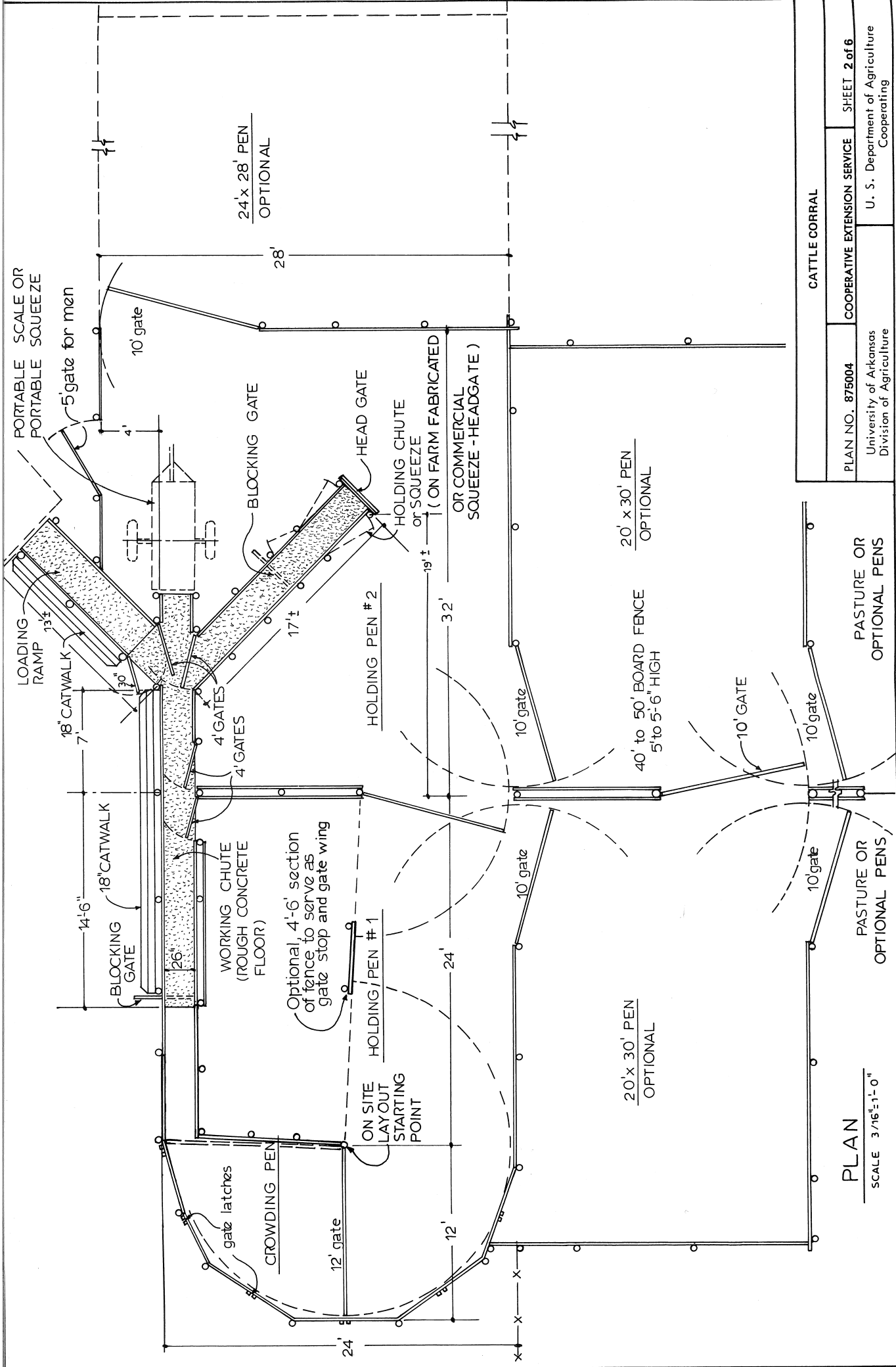


CATTLE CORRAL	
PLAN NO. 875004	COOPERATIVE EXTENSION SERVICE
University of Arkansas Division of Agriculture	SHEET 1 of 6
U. S. Department of Agriculture Cooperating	



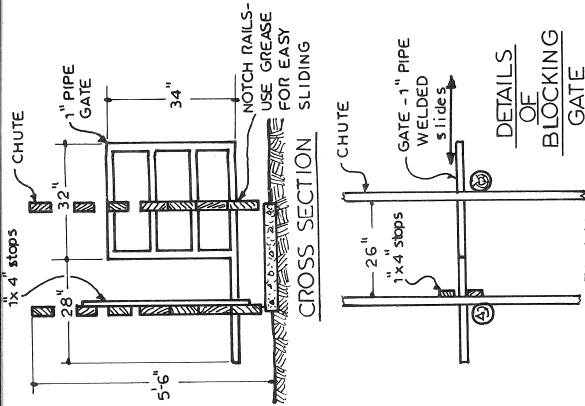
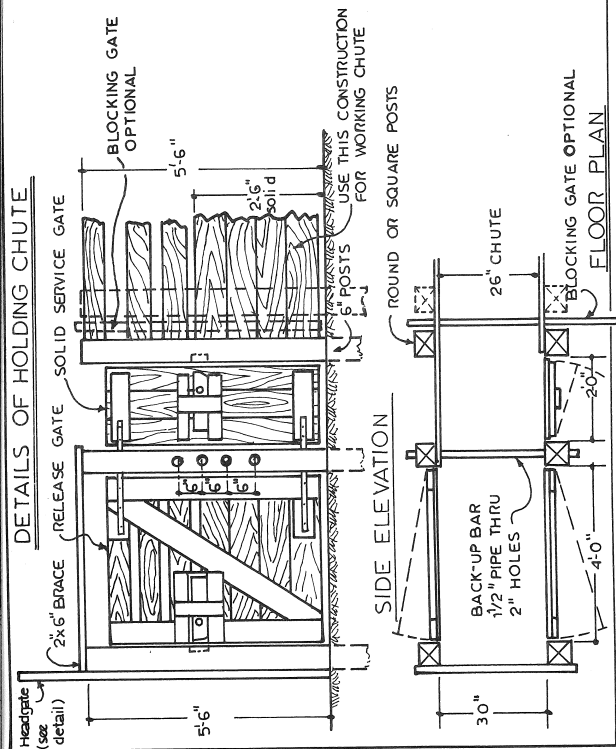
PLAN NO. 875004
 University of Arkansas
 Division of Agriculture

COOPERATIVE EXTENSION SERVICE
 U. S. Department of Agriculture
 Cooperating

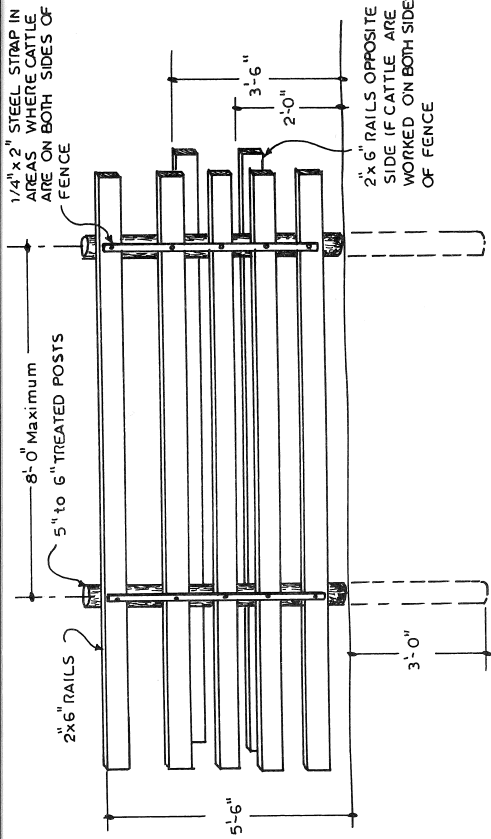
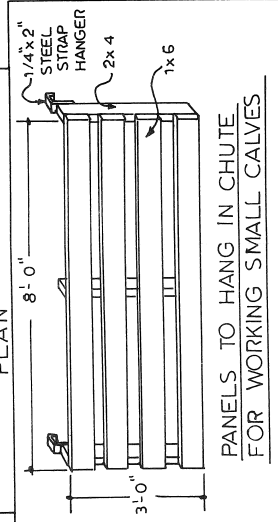
SHEET 2 of 6
 CATTLE CORRAL

PLAN
 SCALE 3/16"=1'-0"

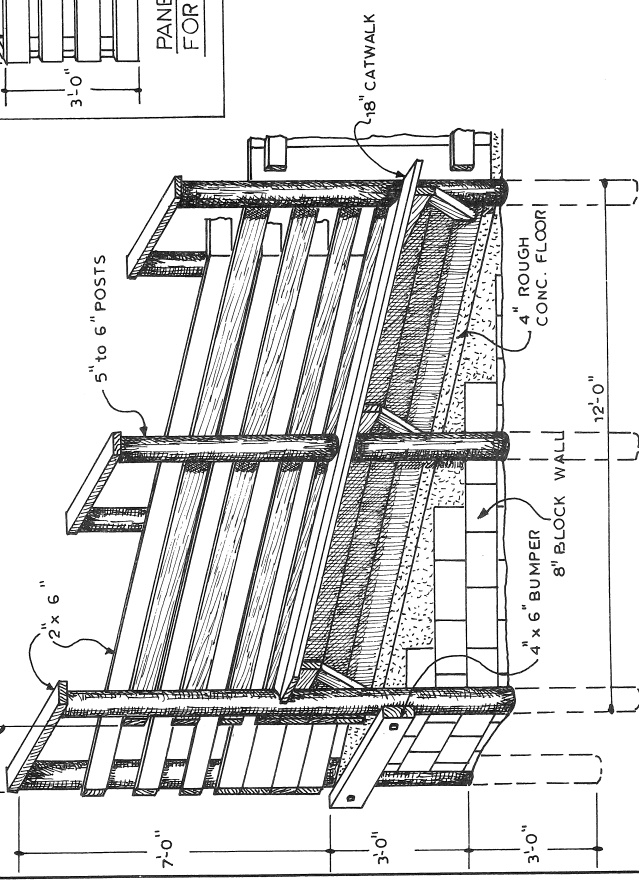
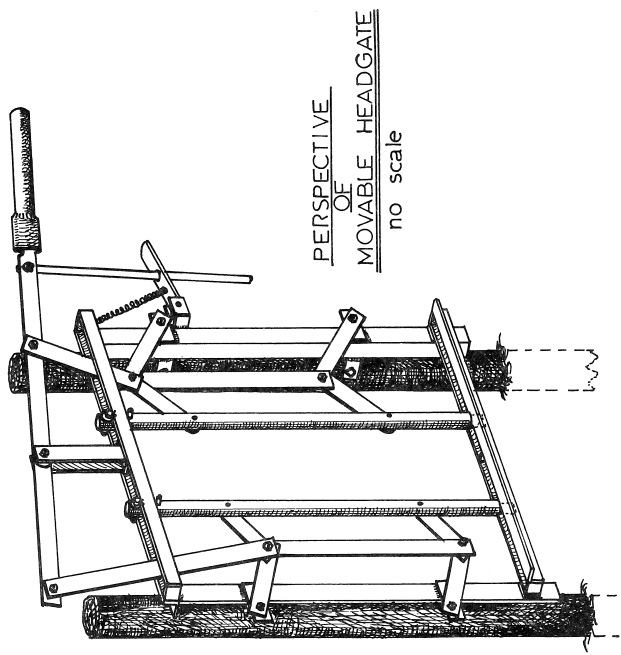
DETAILS OF HOLDING CHUTE



DETAILS OF BLOCKING GATE

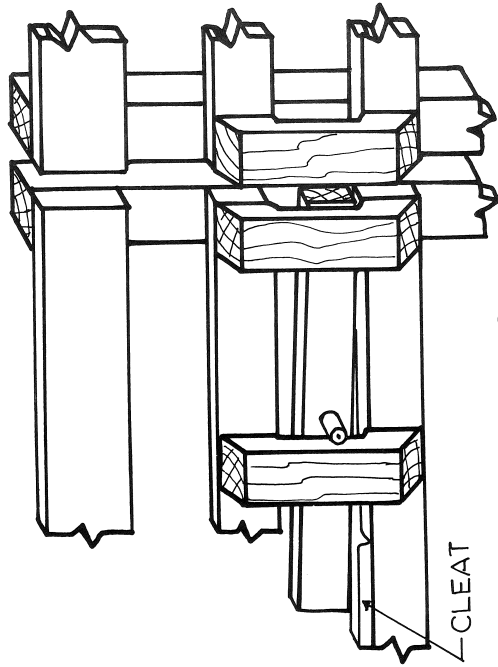


TYPICAL FENCE



LOADING RAMP DETAIL

CATTLE CORRAL	
PLAN NO. 875004	COOPERATIVE EXTENSION SERVICE
University of Arkansas Division of Agriculture	SHEET 3 of 6 U. S. Department of Agriculture Cooperating



GATE LATCH

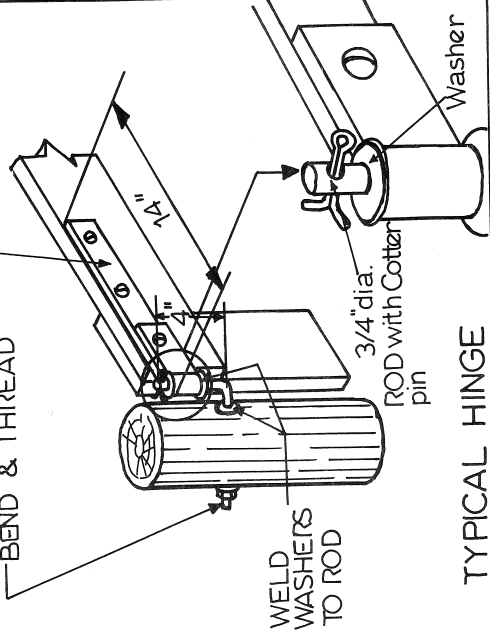
5/8" L BAR

PIPE ON GATE

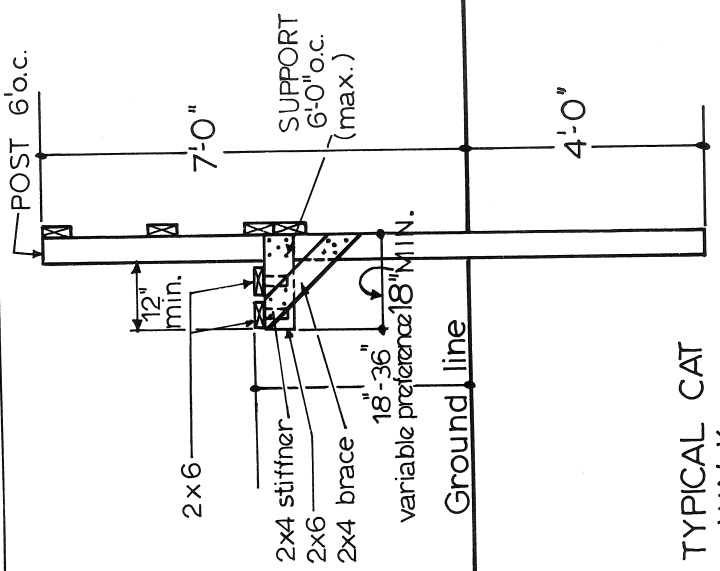
PIPE ON POST

GATE LATCH

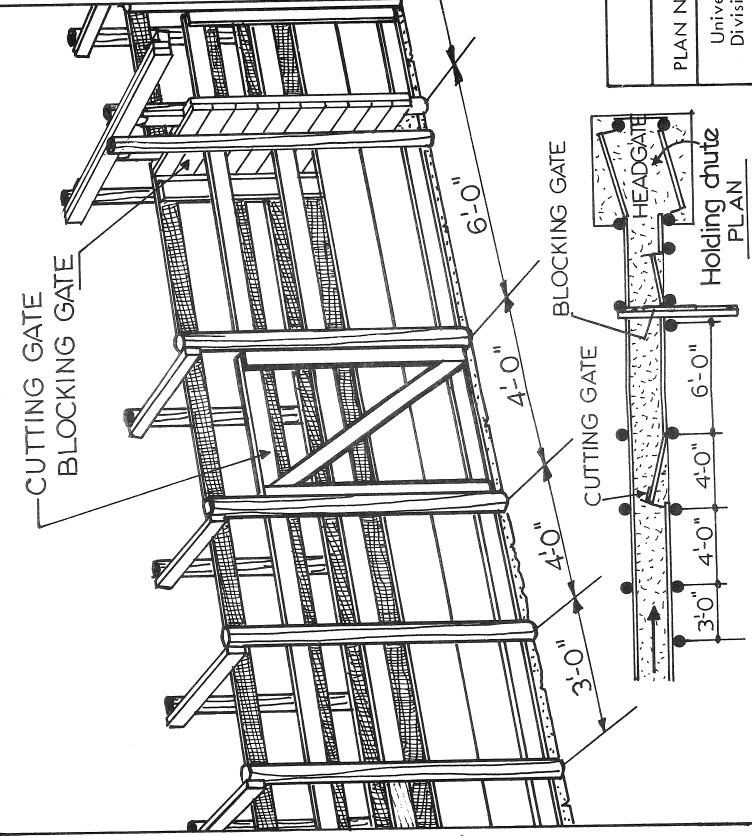
1 1/4 x 2 x 22 STRAP
3/4" x 10 1/2" ROD
BEND & THREAD



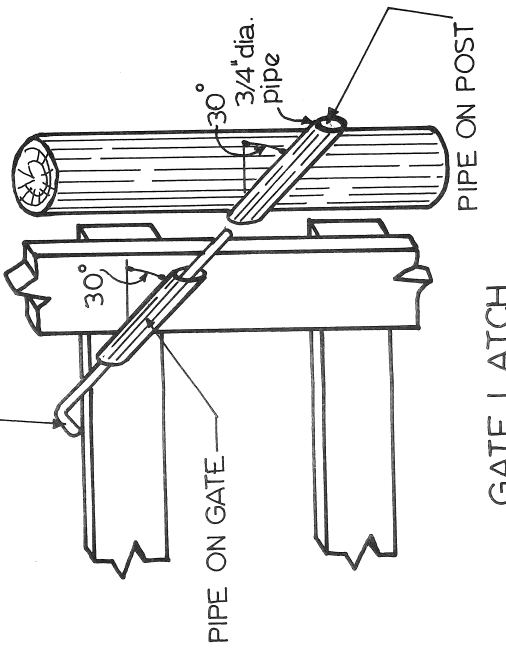
TYPICAL HINGE



TYPICAL CAT WALK



FULL SWING HINGE



GATE LATCH

CUTTING GATE

BLOCKING GATE

BLOCKING GATE

CUTTING GATE

HEADGATE

Holding chute

PLAN

CATTLE CORRAL

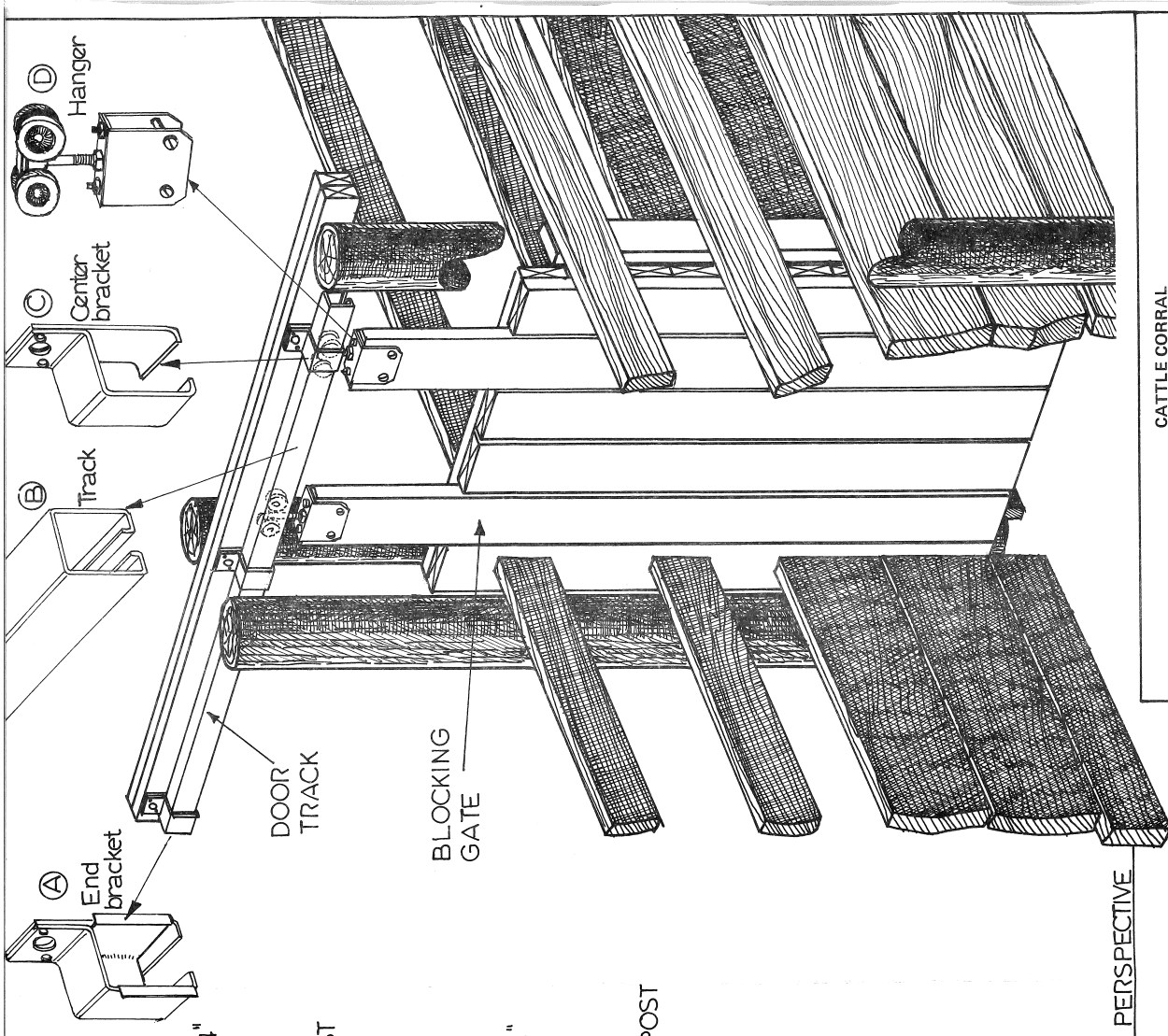
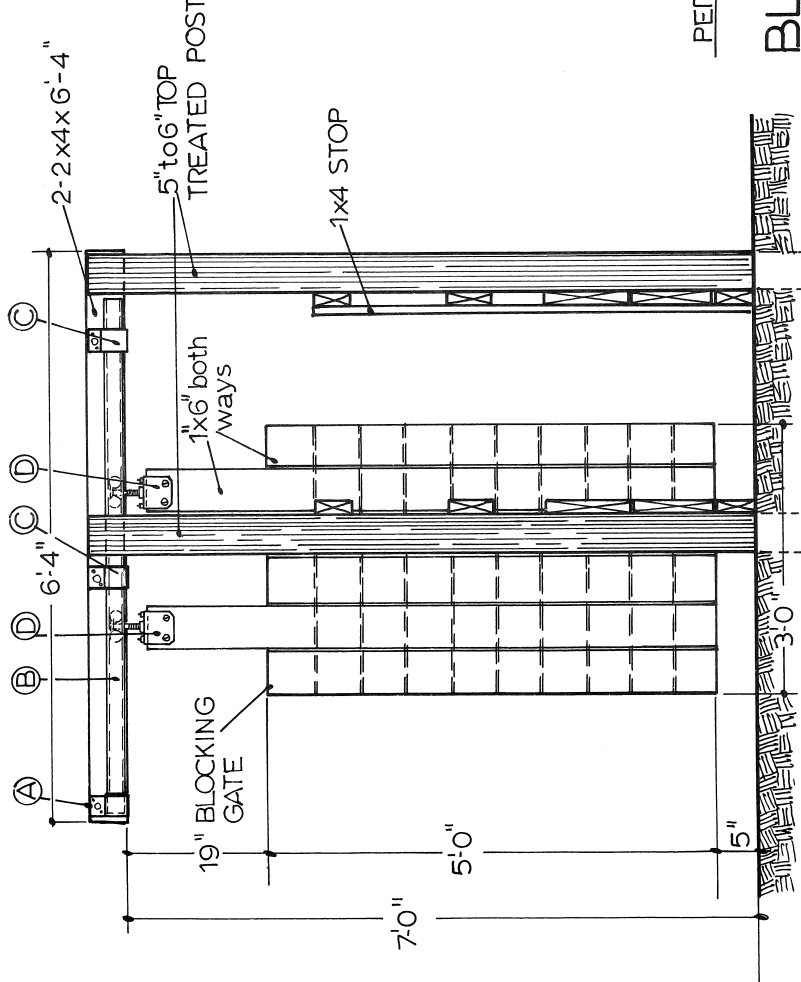
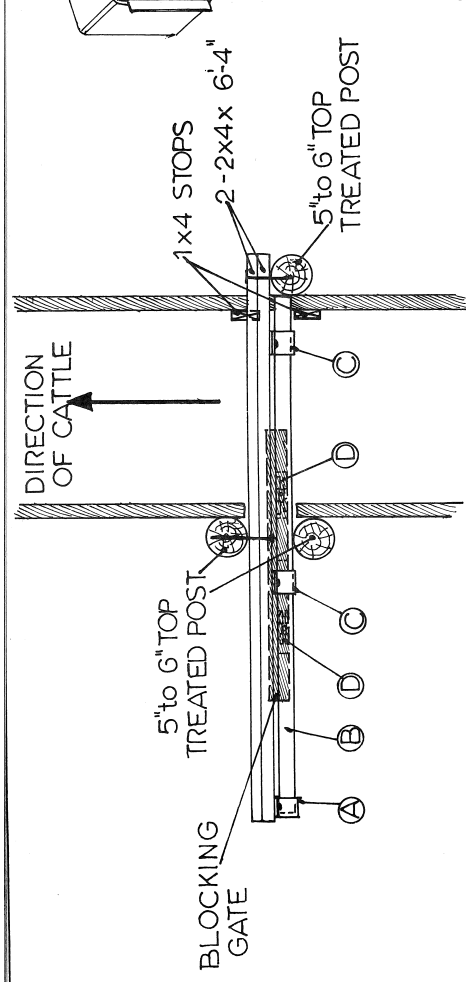
PLAN NO. 875004

COOPERATIVE EXTENSION SERVICE

SHEET 4 of 6

University of Arkansas
Division of Agriculture

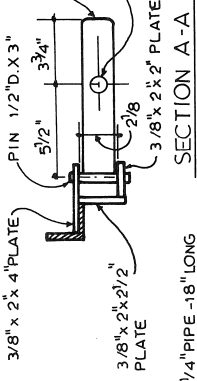
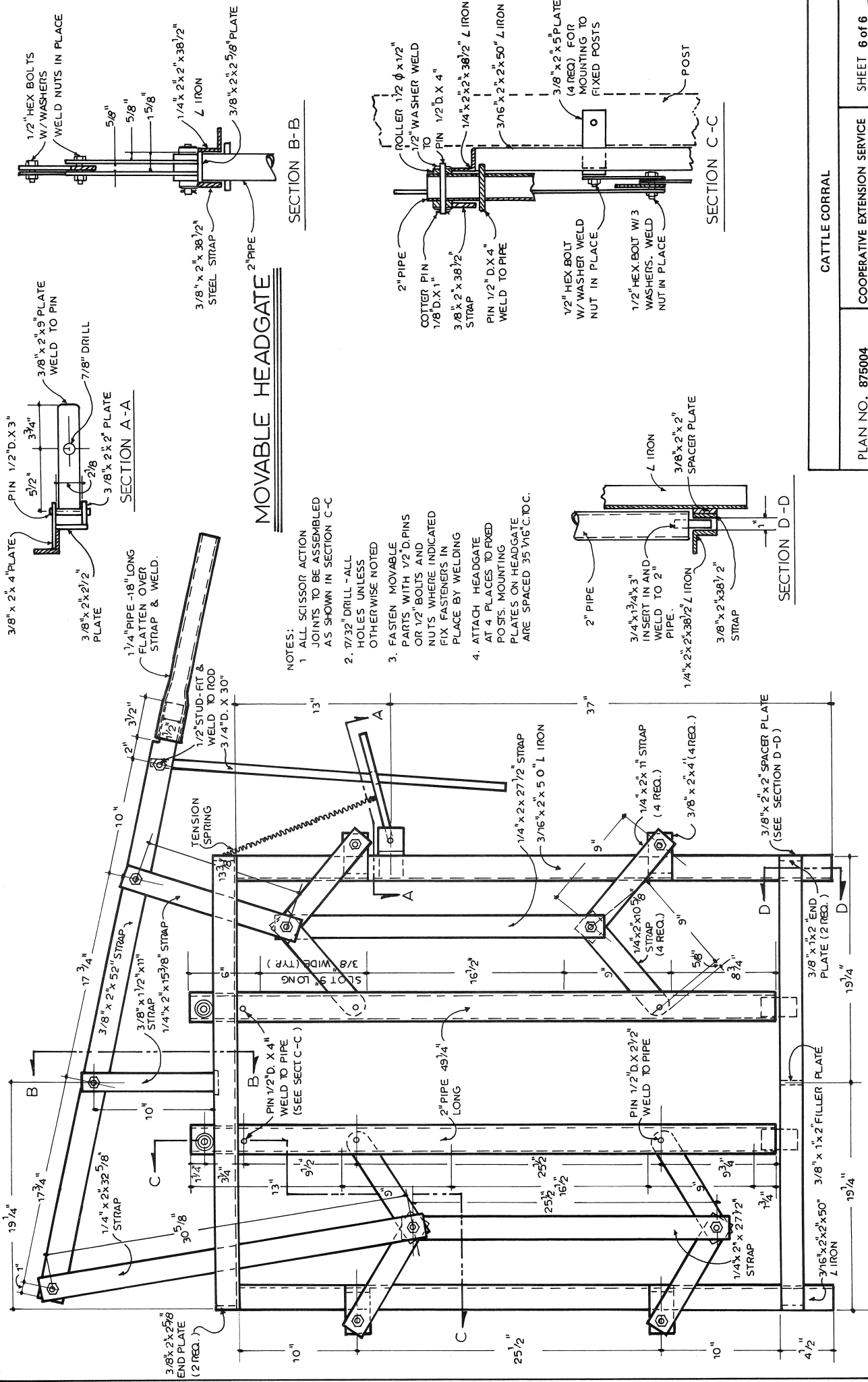
U. S. Department of Agriculture
Cooperating



CATTLE CORRAL	
PLAN NO. 875004	COOPERATIVE EXTENSION SERVICE
University of Arkansas Division of Agriculture	U. S. Department of Agriculture Cooperating
	SHEET 5 of 6

BLOCKING GATE

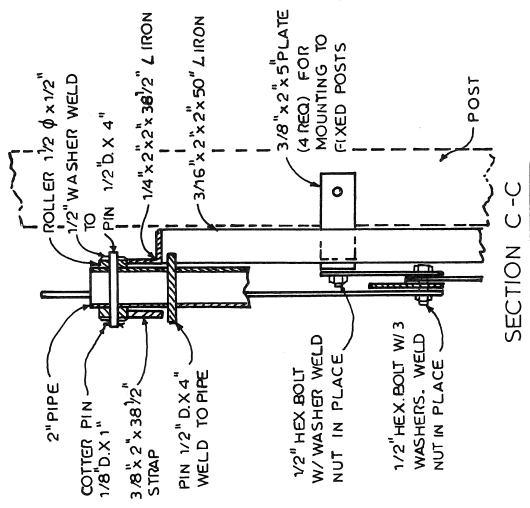
TYPICAL CROSS SECTION
scale 3/4"=1'-0"



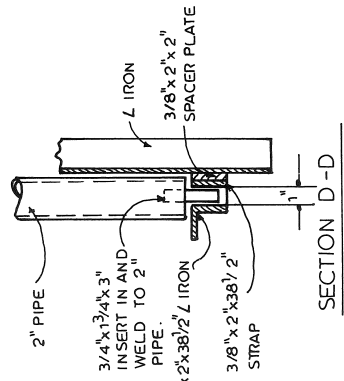
MOVABLE HEADGATE

SECTION B-B

- NOTES:
1. ALL SCISSOR ACTION JOINTS TO BE ASSEMBLED AS SHOWN IN SECTION C-C
 2. 7/32" DRILL - ALL HOLES UNLESS OTHERWISE NOTED
 3. FASTEN MOVABLE PARTS WITH 1/2" D.PINS OR 1/2" BOLTS AND NUTS WHERE INDICATED PLACE BY WELDING
 4. ATTACH HEADGATE AT 4 PLACES TO FORK POS'S. MOUNTING PLATES ON HEADGATE ARE SPACED 35 1/16" C.T.O.C.



SECTION C-C



SECTION D-D

ELEVATION
NO SCALE

PLAN NO. 875004	COOPERATIVE EXTENSION SERVICE	SHEET 6 of 6
University of Arkansas Division of Agriculture		U. S. Department of Agriculture Cooperating

Disclaimer

This site makes available conceptual plans that can be helpful in developing building layouts and selecting equipment for various agricultural applications. These plans may be outdated and do not necessarily represent the most current technology, construction codes, or agricultural practices. They are not construction plans and do not replace the need for competent design assistance in developing safe, legal and well-functioning agricultural building system. The University of Arkansas Cooperative Extension Service, the United States Department of Agriculture and none of the cooperating land-grant universities warranty these plans.