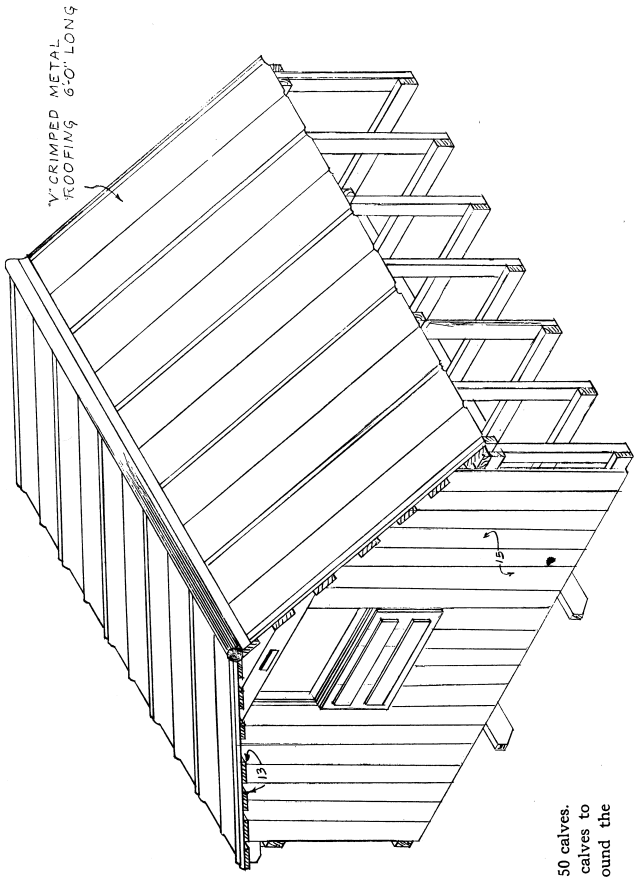


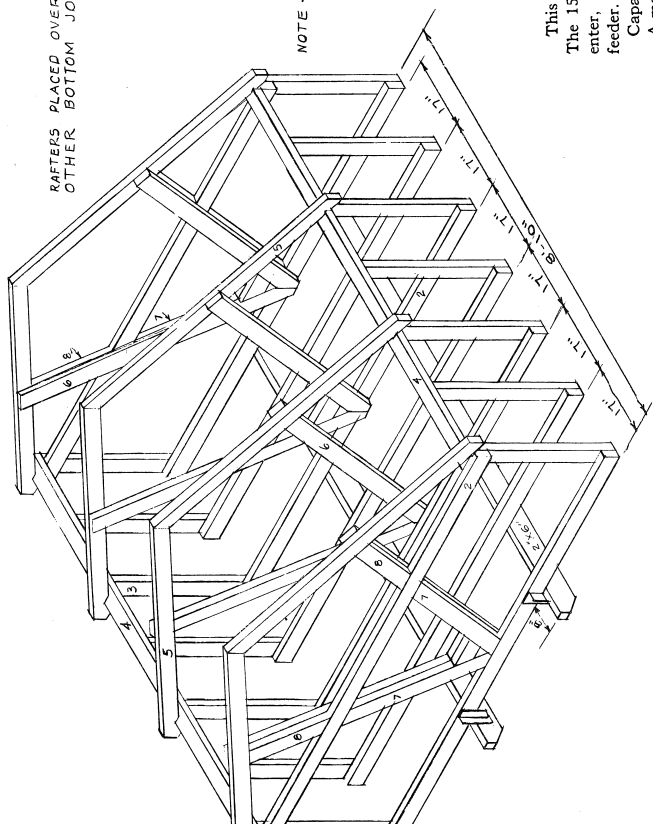
RAFTERS PLACED OVER EVERY OTHER BOTTOM JOIST



1/2" CRIMPED METAL ROOFING 6'0" LONG

NOTE - ALL FRAMING IS 2" X 4" EXCEPT 2" X 6" RUNNERS

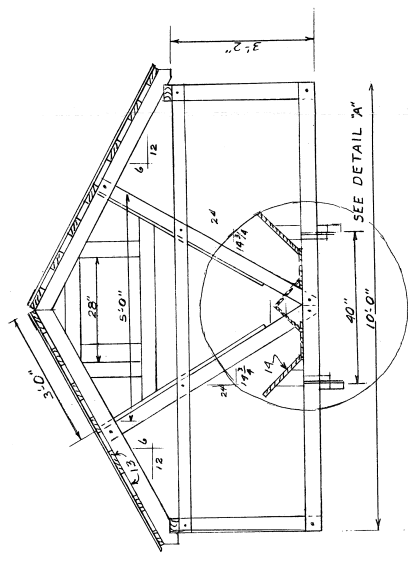
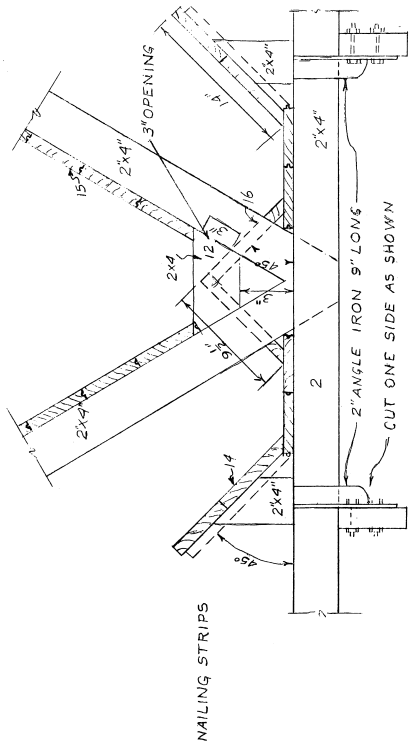
This movable calf-feeder is suitable for 40 to 50 calves. The 15-inch wide spaces will allow only the calves to enter, consequently no fencing is needed around the feeder. Capacity of the feeder is about 50 bushels. A material list is included on the drawings.



FRAMING DETAILS

BILL OF MATERIALS

PART NO.	LUMBER & SIZE OF MATERIAL	STANDARD STOCK TO CUT MATERIAL FROM
1	2 Pcs. - 2" x 6" x 10' - 0"	2 - 2" x 6" x 10' - 0"
2	9 Pcs. - 2" x 4" x 10' - 0"	9 - 2" x 4" x 10' - 0"
3	14 Pcs. - 2" x 4" x 3' - 2"	5 - 2" x 4" x 10' - 0"
4	2 Pcs. - 2" x 4" x 8' - 10"	2 - 2" x 4" x 10' - 0"
5	8 Pcs. - 2" x 4" x 6' - 0"	4 - 2" x 4" x 12' - 0"
6	8 Pcs. - 2" x 4" x 5' - 8"	4 - 2" x 4" x 12' - 0"
7	4 Pcs. - 2" x 4" x 3' - 6"	2 - 2" x 4" x 8' - 0"
8	4 Pcs. - 2" x 4" x 1' - 0"	Use Pcs. Remaining From Cut No. 7
9	2 Pcs. - 2" x 4" x 4' - 0"	1 - 2" x 4" x 8' - 0"
10	4 Pcs. - 2" x 4" x 1' - 4"	1 - 2" x 4" x 10' - 0"
11	2 Pcs. - 2" x 4" x 2' - 4"	Use Pcs. Remaining From Cut No. 10
12	6 Pcs. - 2" x 4" x 10"	Use Pcs. Remaining From Cut No. 3 & 4
13	14 Pcs. - 1" x 4" x 12' - 0"	14 - 1" x 4" x 12' - 0"
14	2 Pcs. - 1" x 8" x 10' - 0"	2 - 1" x 8" x 10' - 0"
15	250 Sqs. Ft. 1" x 6" T & G	2 - 1" x 6" x 10' - 0"
	10 8D Nails	
	16 - 3/8" Carriage Bolts	
	2 1/2" Long	
16	5 16D Common Nails	
17	2 Pcs. - 1" x 10" x 10' - 0"	2 Pcs. - 1" x 10" x 10' - 0"
	2" x 2" Angle Iron - 9" Long	
	For Bracing Runners	
	26 - 3/8" Carriage Bolts 4 1/4" Long	
	26 - 3/8" Flat Washers	



**CALF CREEP FEEDER**  
 AGRICULTURAL EXTENSION SERVICE  
 University of Arkansas College of Agriculture  
 and Home Economics  
 U. S. Department of Agriculture Cooperating  
**PLAN NO. 56500C**

## Disclaimer

This site makes available conceptual plans that can be helpful in developing building layouts and selecting equipment for various agricultural applications. These plans may be outdated and do not necessarily represent the most current technology, construction codes, or agricultural practices. They are not construction plans and do not replace the need for competent design assistance in developing safe, legal and well-functioning agricultural building system. The University of Arkansas Cooperative Extension Service, the United States Department of Agriculture and none of the cooperating land-grant universities warranty these plans.