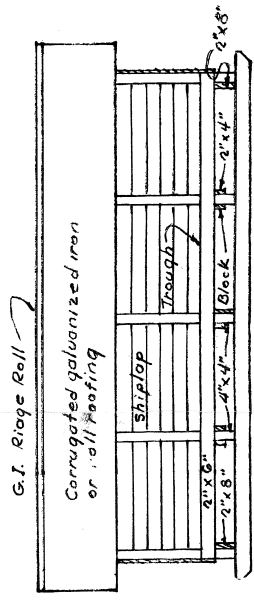
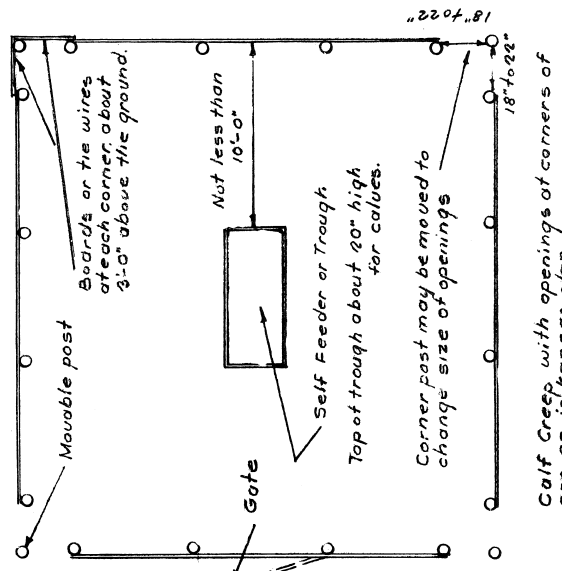
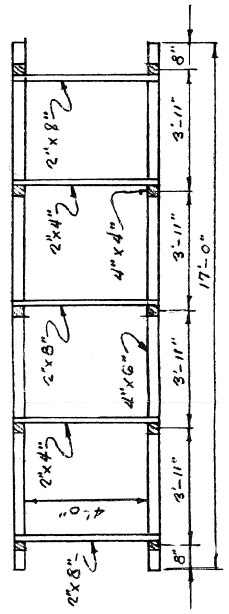


SECTION OF SELF FEEDER
1/2" = 1'-0"

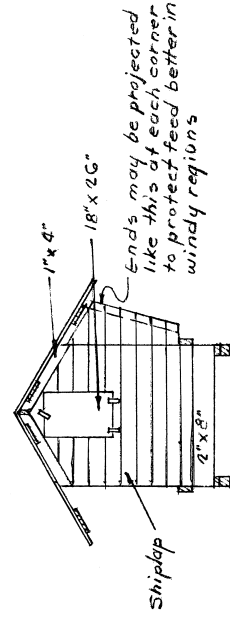
Capacity 195 bu. of Grain.
This size will serve for 60 to 80 head of calves.
Feeder may be used for cattle by setting it upon blocks.



SIDE VIEW 1/4" = 1'-0"

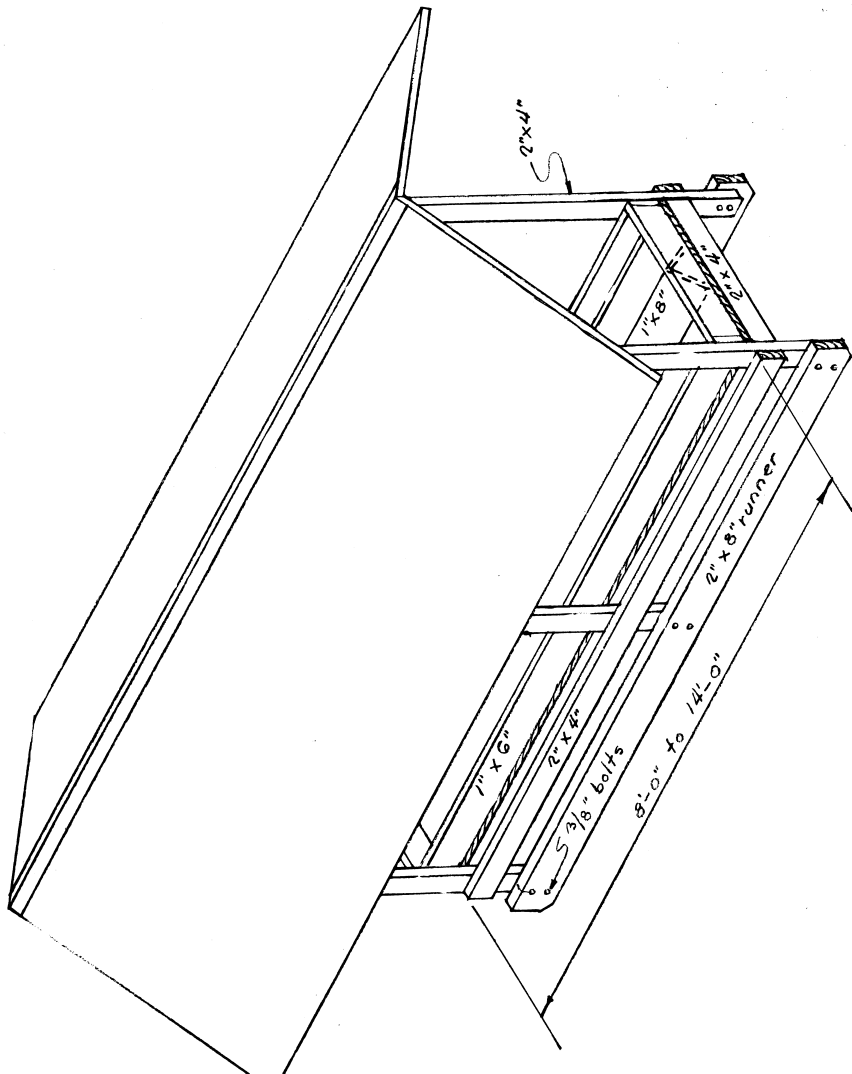


PLAN 1/4" = 1'-0"

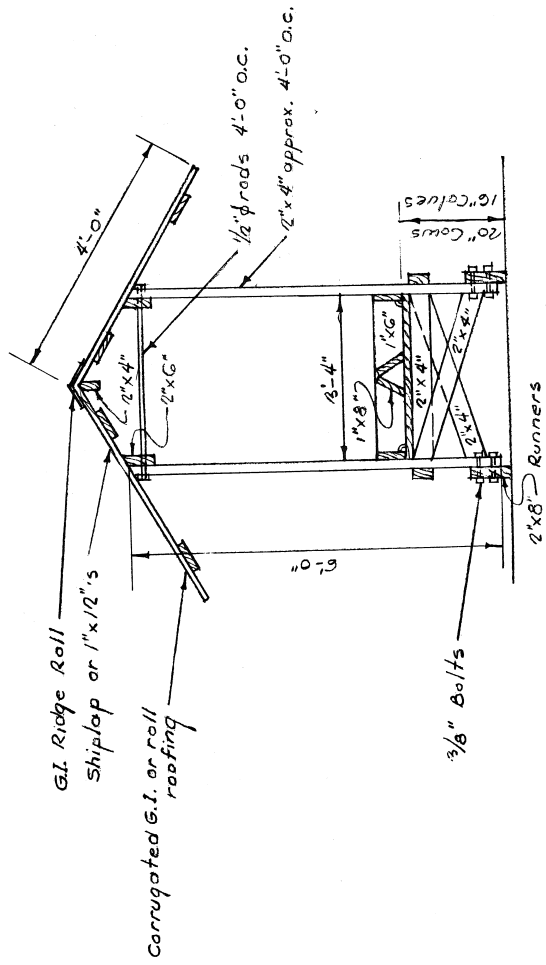


END VIEW 1/4" = 1'-0"

CALF CREEP & FEEDER	
EXTENSION SERVICE	
UNIVERSITY OF ARKANSAS	
COLLEGE OF AGRICULTURE AND	
U.S. DEPT. OF AGRICULTURE COOPERATING	
DRAWN BY	PLAN NO. 25001
SHEET	OF 2



ISOMETRIC



SECTION OF FEEDER

CALF CREEP & FEEDER
EXTENSION SERVICE
UNIVERSITY OF ARKANSAS
COLLEGE OF AGRICULTURE
AND
U.S. DEPT. OF AGRIC. COOPERATING
DRAWN BY J.C.
SHEET 2 OF 2 PLAN NO. 25001

ALTERNATE FEEDER 1/2" = 1'-0"

Disclaimer

This site makes available conceptual plans that can be helpful in developing building layouts and selecting equipment for various agricultural applications. These plans may be outdated and do not necessarily represent the most current technology, construction codes, or agricultural practices. They are not construction plans and do not replace the need for competent design assistance in developing safe, legal and well-functioning agricultural building system. The University of Arkansas Cooperative Extension Service, the United States Department of Agriculture and none of the cooperating land-grant universities warranty these plans.